

2012 Size

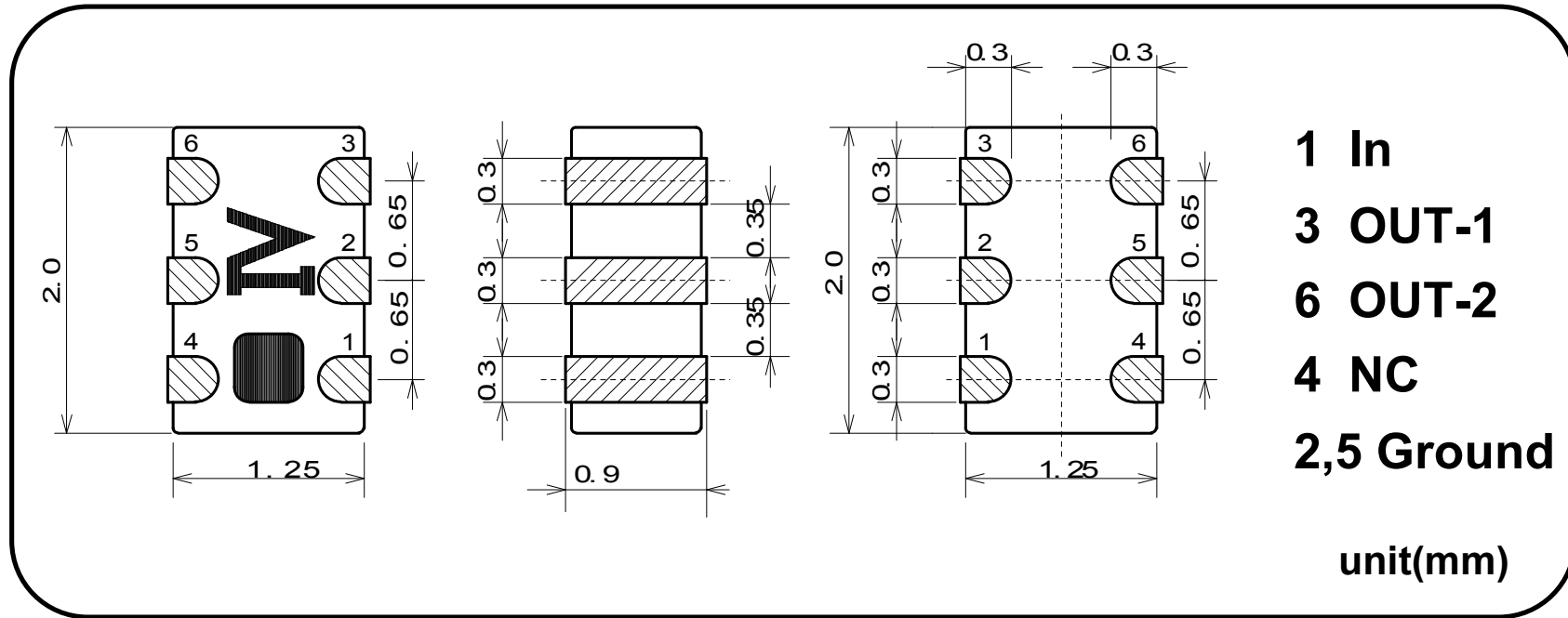
3.3 ~ 3.8GHz Band
Chip Multilayer RF Transformer

Impedance Ratio 50:50

ESLT-S370KB1-350

RoHS
Compliant

Shape & Size



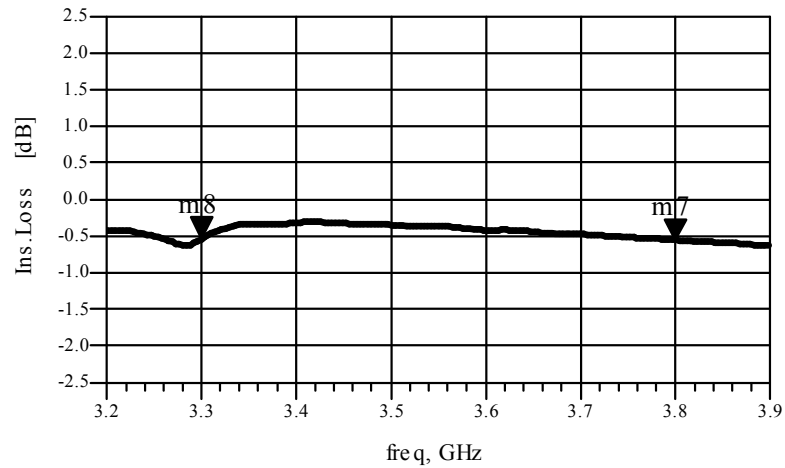
Specifications

P/N	Frequency Range(GHz)	Impedance	Insertion Loss	V.S.W.R (Unbalance Port)	Amplitude Balance	Phase Balance	Handling Power	Temperature Range
ESLT-S370KB1-350	3.3-3.8	50:50	1.1dB Max.	2.0 Max.	1.0dB Max.	180 +/-10deg.	0.5W Max.	-35 to +85 deg.C

"All the technical data and information contained herein are subject to change without notice."

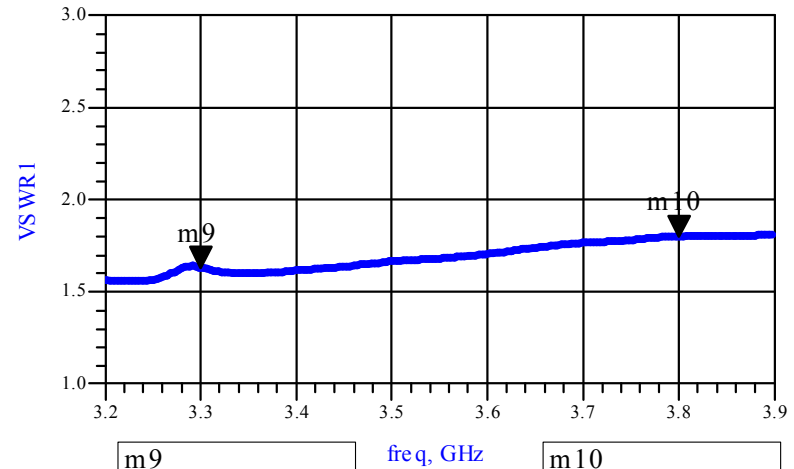
ESLT-S370KB1-350 Sample DATA

P/N	ESLT-S370KB1-350	Doc-No.	LT-ESLT-S370KB1-350-0806A
-----	------------------	---------	---------------------------



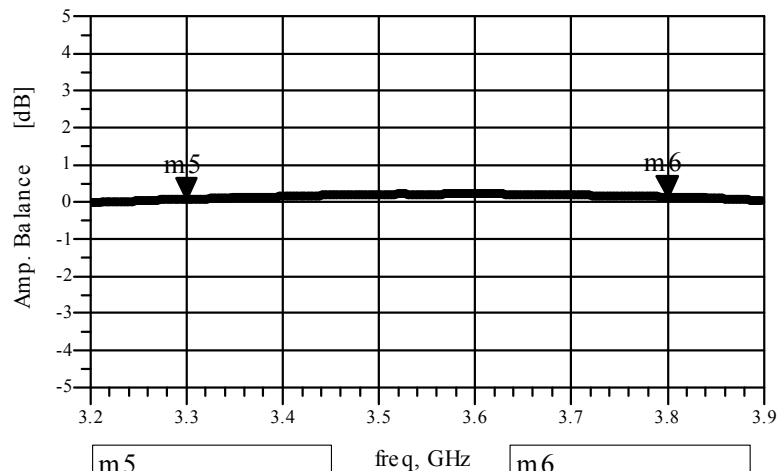
m8
freq= 3.300GHz
dB(S(5,4))=-0.535

m7
freq= 3.800GHz
dB(S(5,4))=-0.550



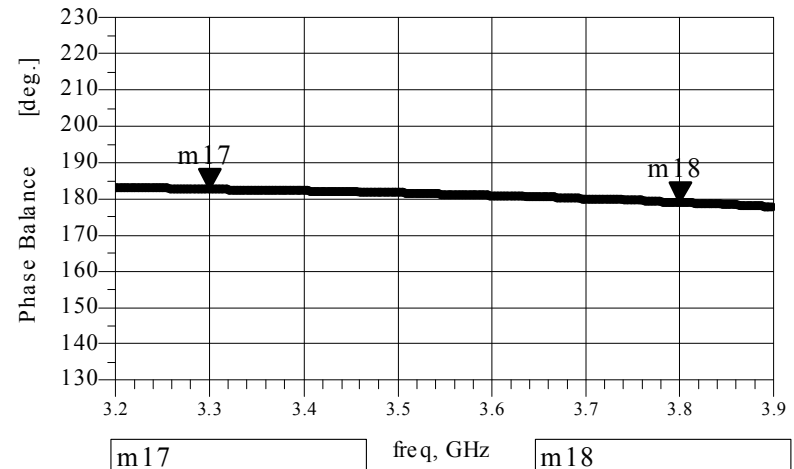
m9
freq= 3.300GHz
VS WR1=1.632

m10
freq= 3.800GHz
VS WR1=1.799



m5
freq= 3.300GHz
Amp1=0.080

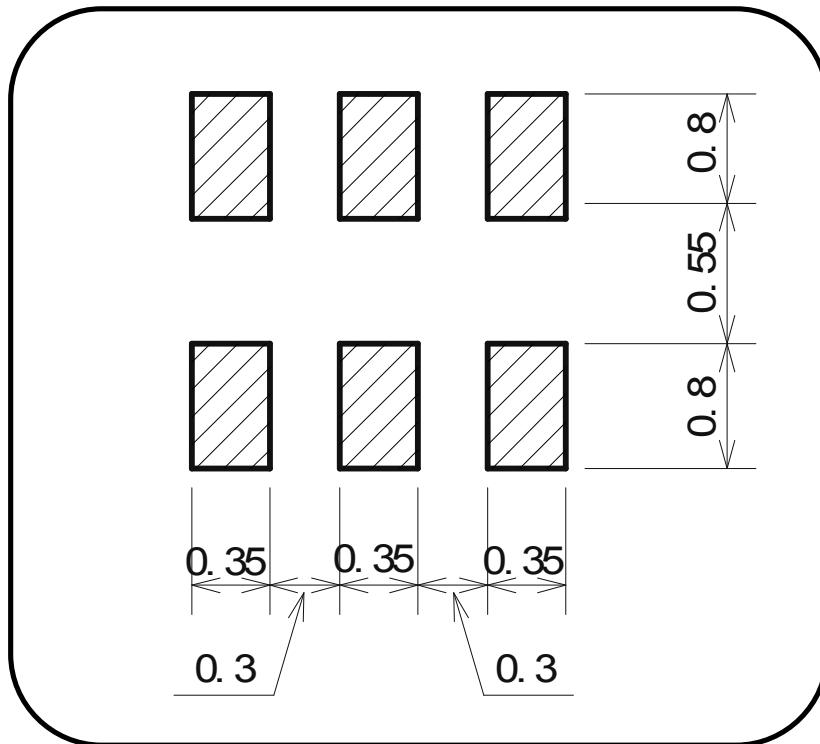
m6
freq= 3.800GHz
Amp1=0.136



m17
freq= 3.300GHz
Phase1=182.640

m18
freq= 3.800GHz
Phase1=179.027

Foot Pattern



Foot Pattern Example

