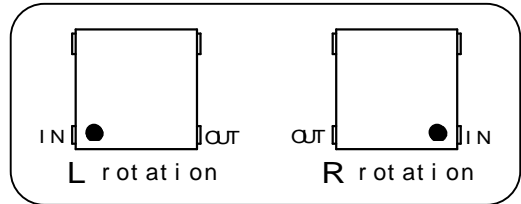


# 7mm SQUARE THIN TYPE ISOLATOR

## MODEL ESI-7SG [ ] 1.842 G 02 - T

(1)            (2)            (3)            (4)    (5)    (6)

- (1) Series ESI-7SG ; 2.5mm Height
- (2) Rotating Direction (R or L)
- (3) Center Frequency
- (4) G ; GHz
- (5) Control No.
- (6) T ; Taping  
Blank ; Bulk



### Specification

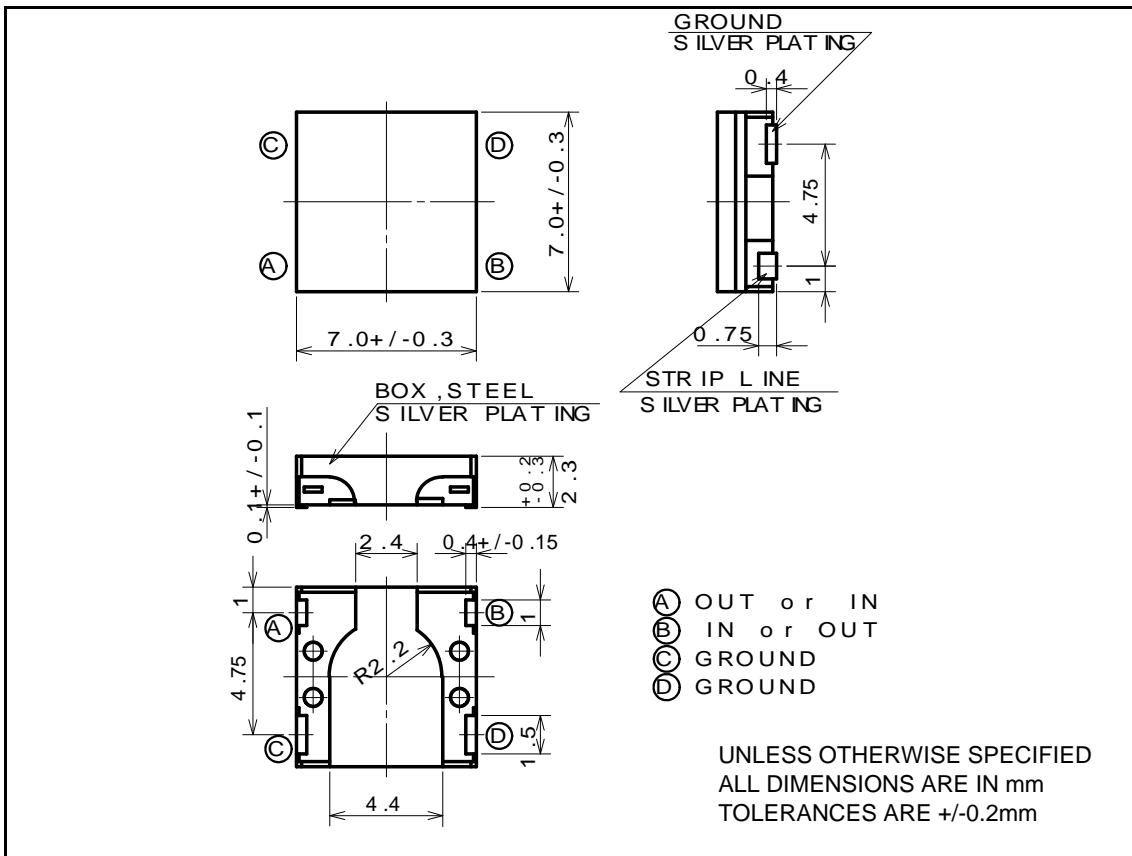
| Frequency<br>(GHz) | Ins. Loss<br>Max.<br>(dB) | Isolation<br>Min.<br>(dB) | V.S.W.R.<br>Max. | Attenuation  |              | Handling<br>Power<br>Max.<br>(W) | Reflection<br>Power<br>Max.<br>(W) |
|--------------------|---------------------------|---------------------------|------------------|--------------|--------------|----------------------------------|------------------------------------|
|                    |                           |                           |                  | at 2f        | at 3f        |                                  |                                    |
|                    |                           |                           |                  | Min.<br>(dB) | Min.<br>(dB) |                                  |                                    |
| 1.805-1.880        | 0.60                      | 15                        | 1.5              | 5            | 15           | 5.0                              | 1.0                                |

Operating Temperature(deg.C) ; -35 to +85

Impedance ; 50 ohms Typ.

Applicable to Pb free reflow soldering

### Shape & Size



TBE011