

5mm SQUARE THIN TYPE ISOLATOR

MODEL ESI-5CE [] 3.600 G 01-T
 (1) (2) (3) (4) (5) (6)

(1) Series **ESI-5CE ; 2.5mm Height**

(2) Rotating Direction (R or L)

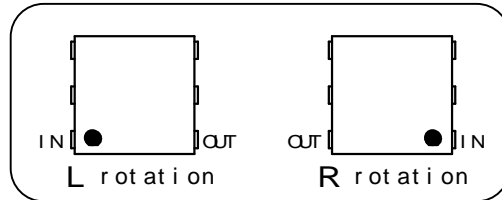
(3) Center Frequency

(4) G ; GHz

(5) Control No.

(6) T ; Taping

Blank ; Bulk



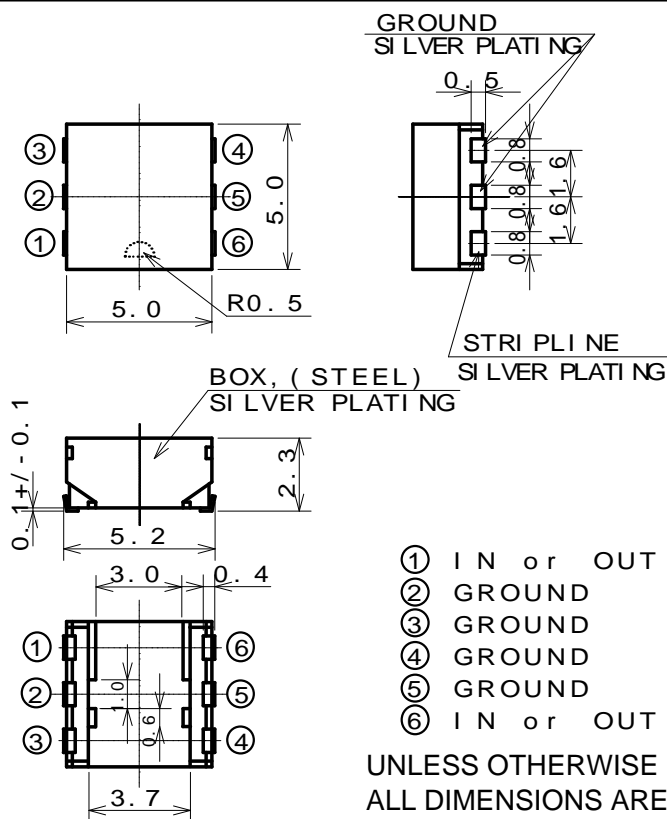
Specification

Frequency (GHz)	Ins. Loss Max. (dB)	Isolation Min. (dB)	V.S.W.R. Max.	Handling Power Max. (W)	Reflection Power Max. (W)
3.400-3.800	1.4	9	2.3	5	1

Operating Temperature(deg.C) ; -35 to +85

Impedance ; 50 ohms Typ.

Shape & Size



Weight;0.24g

- ① IN or OUT
- ② GROUND
- ③ GROUND
- ④ GROUND
- ⑤ GROUND
- ⑥ IN or OUT

UNLESS OTHERWISE SPECIFIED
 ALL DIMENSIONS ARE IN mm
 TOLERANCES ARE +/-0.2mm

TBE375