

5mm SQUARE THIN TYPE ISOLATOR

MODEL ESI-5CE [] 2.600 G 01-T
 (1) (2) (3) (4) (5) (6)

(1) Series **ESI-5CE ; 2.5mm Height**

(2) Rotating Direction (R or L)

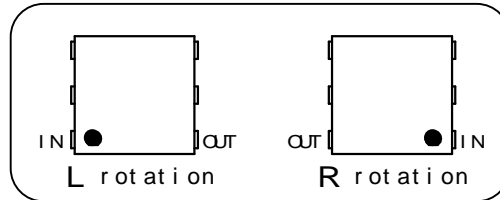
(3) Center Frequency

(4) G ; GHz

(5) Control No.

(6) T ; Taping

Blank ; Bulk



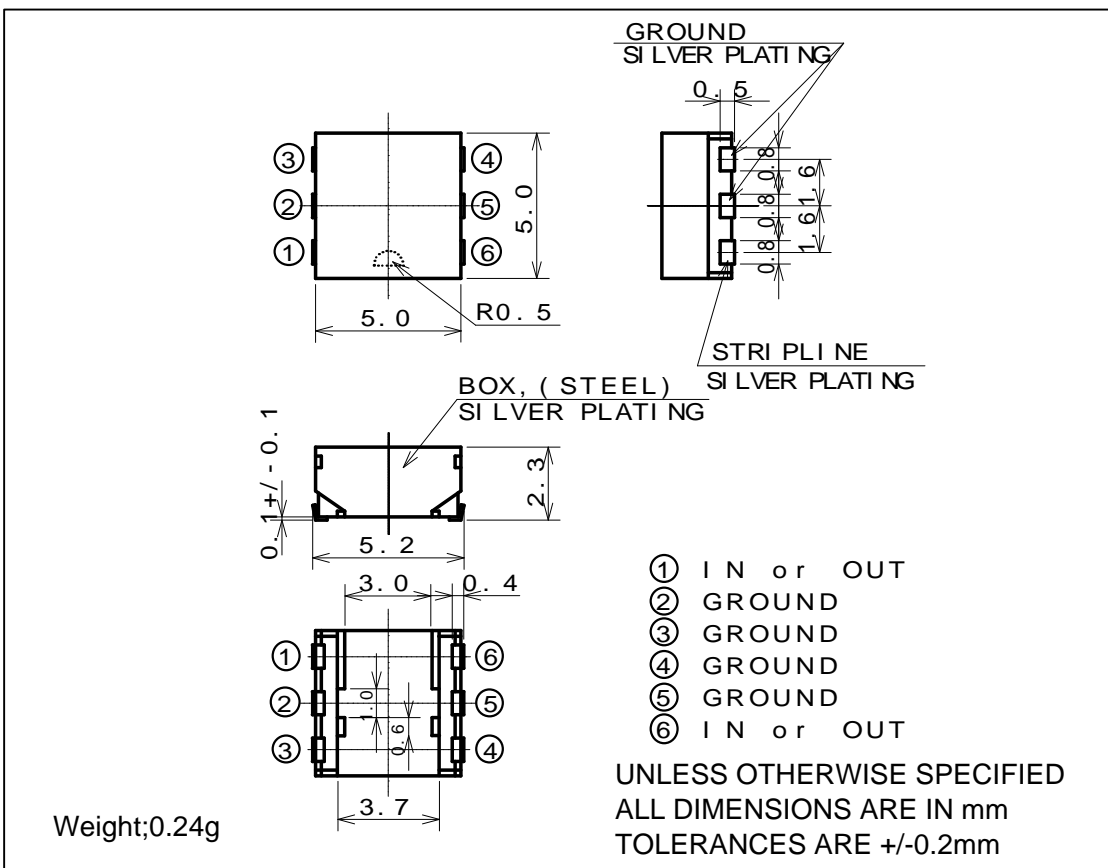
Specification

| Frequency (GHz) | Ins. Loss Max. (dB) | Isolation Min. (dB) | V.S.W.R. Max. | Handling Power Max. (W) | Reflection Power Max. (W) |
|--------------------|---------------------------|---------------------------|------------------|----------------------------------|------------------------------------|
| 2.500-2.700 | 0.80 | 10 | 1.93 | 5.0 | 1.0 |

Operating Temperature(deg.C) ; -35 to +85

Impedance ; 50 ohms Typ.

Shape & Size



This Product is underdevelopment. Specs on this sheet may change for production.

TBE322