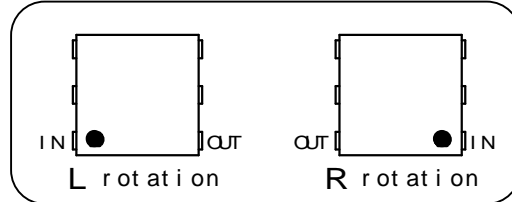


5mm SQUARE THIN TYPE ISOLATOR

MODEL ESI-5CE [] 2.500 G 01- T
 (1) (2) (3) (4) (5) (6)

- (1) Series **ESI-5CE ; 2.5mm Height**
- (2) Rotating Direction (R or L)
- (3) Center Frequency
- (4) G ; GHz
- (5) Control No.
- (6) T ; Taping
Blank ; Bulk

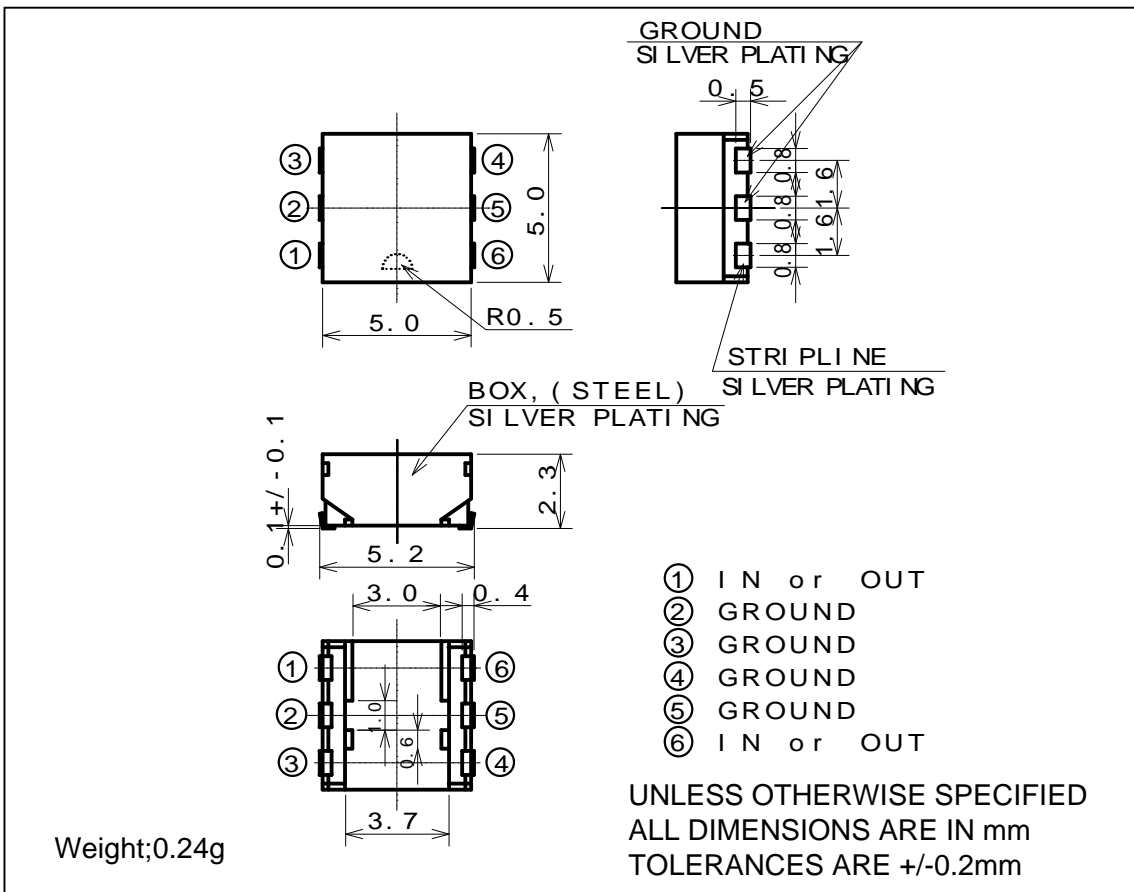


Specification

Frequency (GHz)	Ins. Loss Max. (dB)	Isolation Min. (dB)	V.S.W.R. Max.	Handling Power Max. (W)	Reflection Power Max. (W)
2.300-2.700	1.20	8	2.32	5.0	1.0

Operating Temperature(deg.C) ; -35 to +85
 Impedance ; 50 ohms Typ.

Shape & Size



TBE256-1