

5mm SQUARE THIN TYPE ISOLATOR

MODEL ESI-5BB [] 0851 M 01 - T

(1) (2) (3) (4) (5) (6)

(1) Series ESI-5BB ; 2.0mm Height for 800MHz Band

(2) Rotating Direction (R or L)

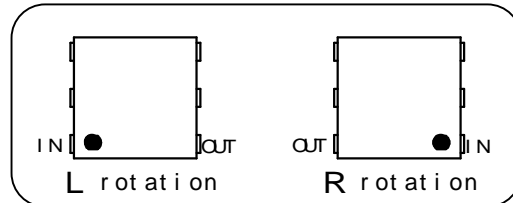
(3) Center Frequency

(4) M ; MHz

(5) Control No.

(6) T ; Taping

Blank;Bulk



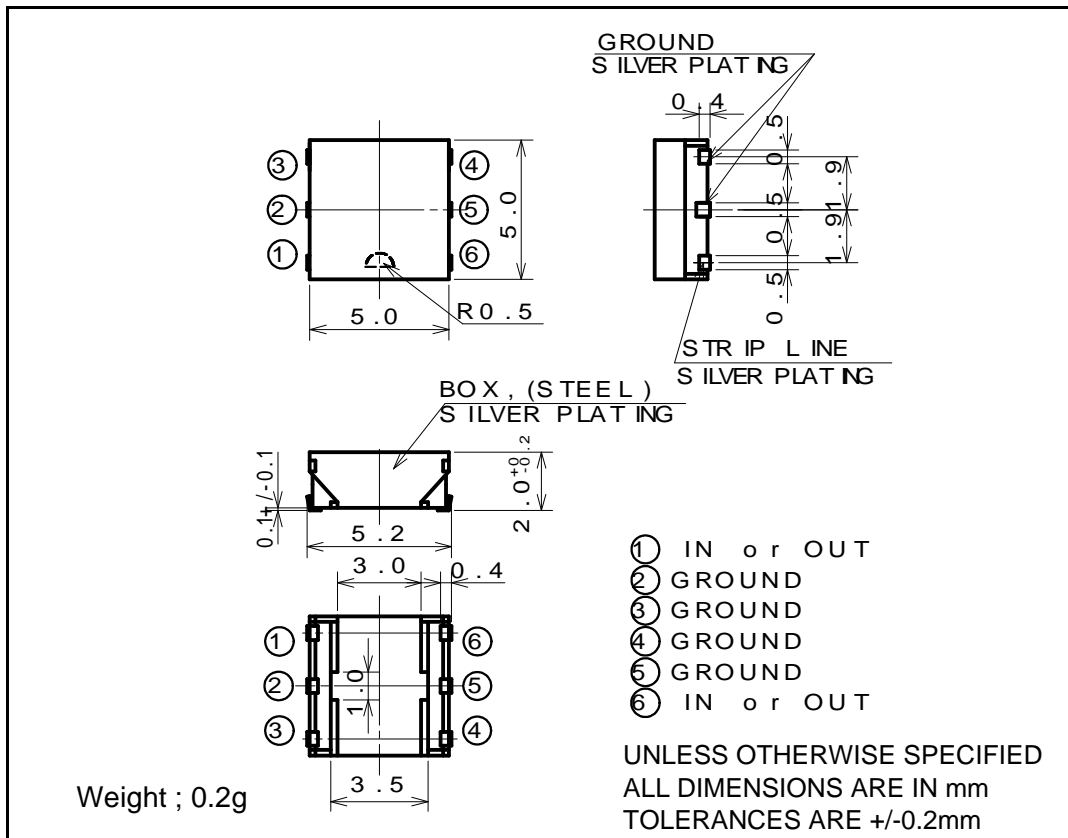
Specification

Frequency (MHz)	Ins. Loss Max. (dB)	Isolation Min. (dB)	V.S.W.R. Max.	Attenuation		Handling Power Max. (W)	Reflection Power Max. (W)
				at 2f Min. (dB)	at 3f Min. (dB)		
832-870	0.80	11	1.6	-	-	5.0	1.0

Operating Temperature(deg.C) ; -35 to +85

Impedance ; 50 ohms Typ.

Shape & Size



TBE049-1