

5mm SQUARE THIN TYPE ISOLATOR

MODEL ESI-5BB [] 0897 M 02 - T

(1) (2) (3) (4) (5) (6)

(1) Series ESI-5BB ; 2.0mm Height for 800MHz Band

(2) Rotating Direction (R or L)

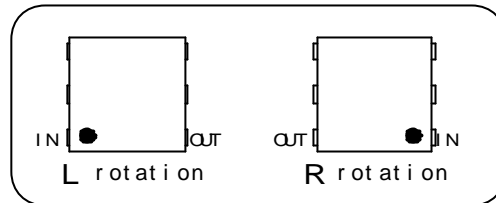
(3) Center Frequency

(4) M ; MHz

(5) Control No.

(6) T ; Taping

Blank;Bulk



Specification

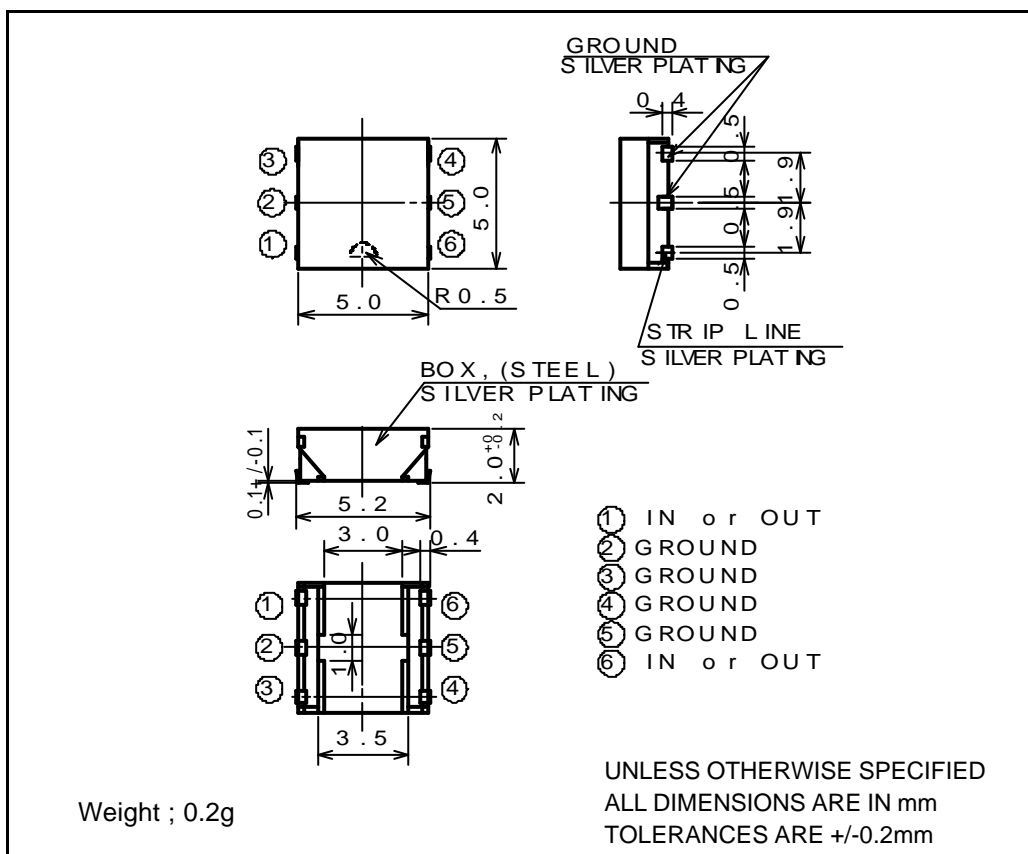
Frequency (MHz)	Ins. Loss Max. (dB)	Isolation Min. (dB)	V.S.W.R. Max.	Attenuation		Handling Power Max. (W)	Reflection Power Max. (W)
				at 2f Min. (dB)	at 3f Min. (dB)		
880-915	0.70	12	1.6	15	15	5.0	1.0

Operating Temperature(deg.C) ; -35 to +85

Impedance ; 50 ohms Typ.

Applicable to Pb free reflow soldering

Shape & Size



Weight ; 0.2g

UNLESS OTHERWISE SPECIFIED
ALL DIMENSIONS ARE IN mm
TOLERANCES ARE +/-0.2mm

TAE974