

◇ SMD Isolators ◇

CAT-281

Model Number MSI-25S

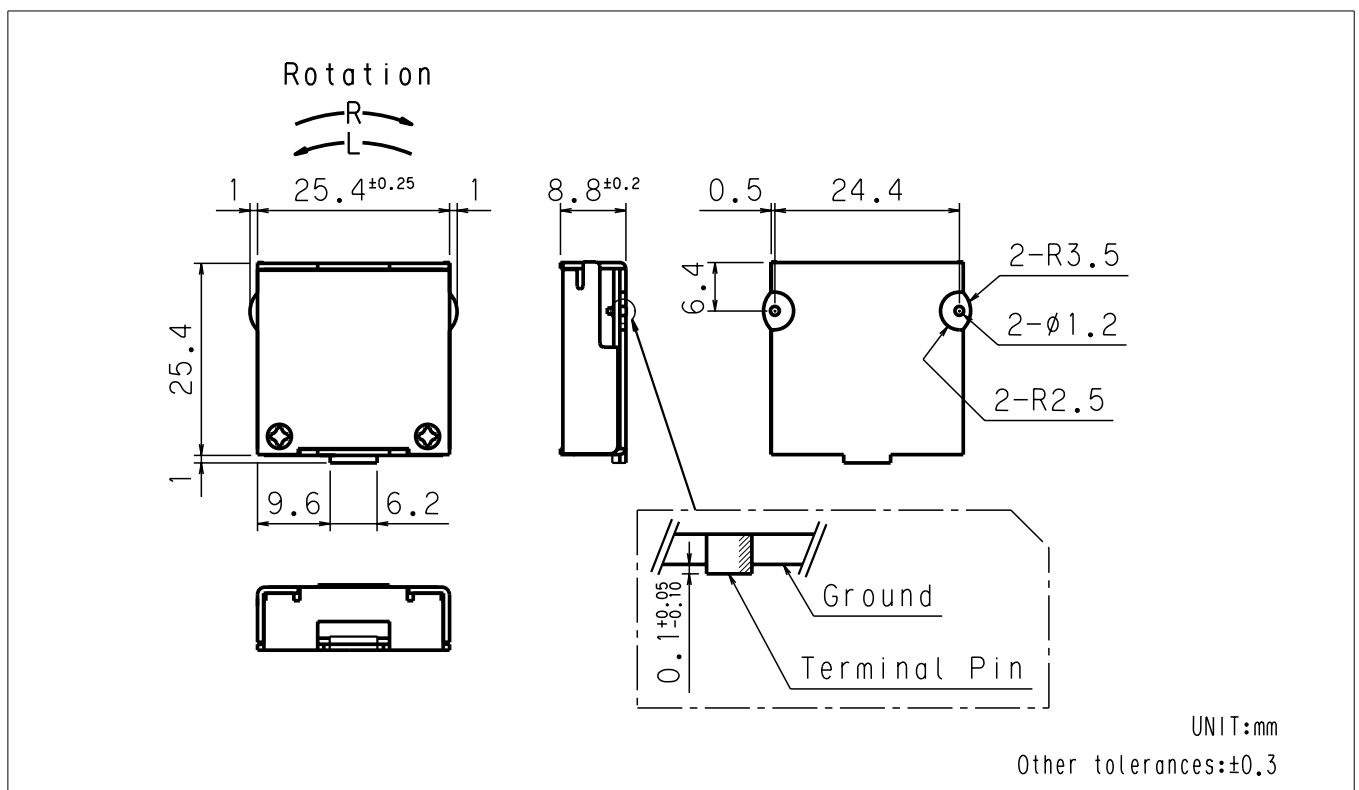
● Specifications

System	AMPS	GSM	DCS	PCS	UMTS
Part Number *1	MSI-25S*0881M	MSI-25S*0942M	MSI-25S*1.842G	MSI-25S*1.960G	MSI-25S*2.140G
Frequency	869-894MHz	925-960MHz	1805-1880MHz	1930-1990MHz	2110-2170MHz
Insertion Loss	0.25 dB max	0.25 dB max	0.25 dB max	0.25 dB max	0.25 dB max
Isolation	20 dB min	20 dB min	20 dB min	20 dB min	20 dB min
V.S.W.R.	1.20 max	1.20 max	1.20 max	1.20 max	1.20 max
Handling Power	100W max *2	100W max *2	100W max *2	100W max *2	100W max *2
Reflection Power	10W max *2	10W max *2	10W max *2	10W max *2	10W max *2
Operating Temp.	-20 ~ +85 ℃	-20 ~ +85 ℃	-20 ~ +85 ℃	-20 ~ +85 ℃	-20 ~ +85 ℃
Impedance	50Ω	50Ω	50Ω	50Ω	50Ω

*1 * Rotation (R or L)

*2 Case temperature should be less than 85 deg C during operation.

● Dimensions



Hitachi Metals, Ltd.