

# ◇ 20mm Square Isolator ◇

CAT-210

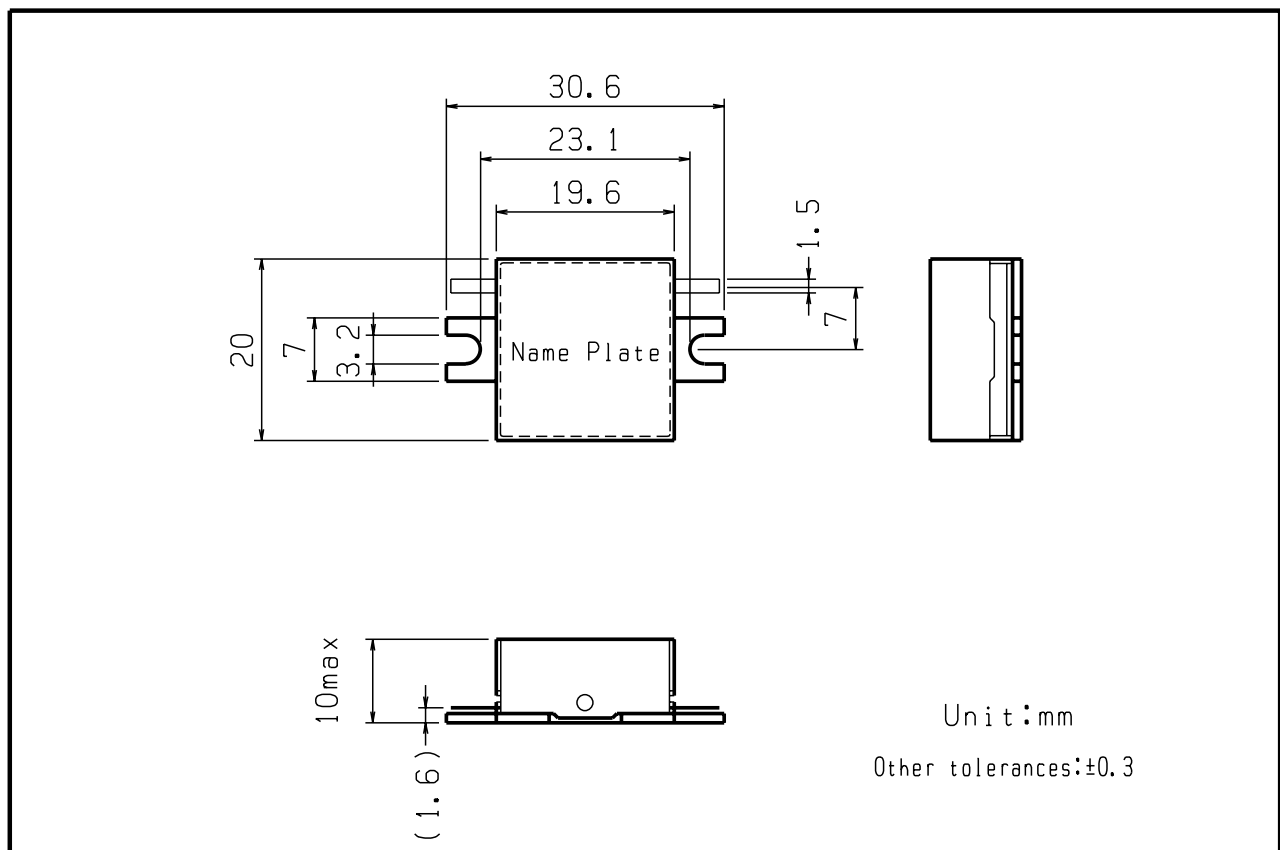
Part No, SI-20\*0850M

\*:Rotation L or R

## ● Specifications

Frequency	810-890MHz
Band Width	Full
Insertion Loss	0.6dB max
Isolation	18dB min
VSWR	1.30 max
Handling Power	10W max
Reflection Power	5W max
Operating Temp.	-10 ~ +60 °C
Impedance	50Ω

## ● Dimensions



Hitachi Metals, Ltd.