

◇ 20mm Square Isolator ◇

CAT-209

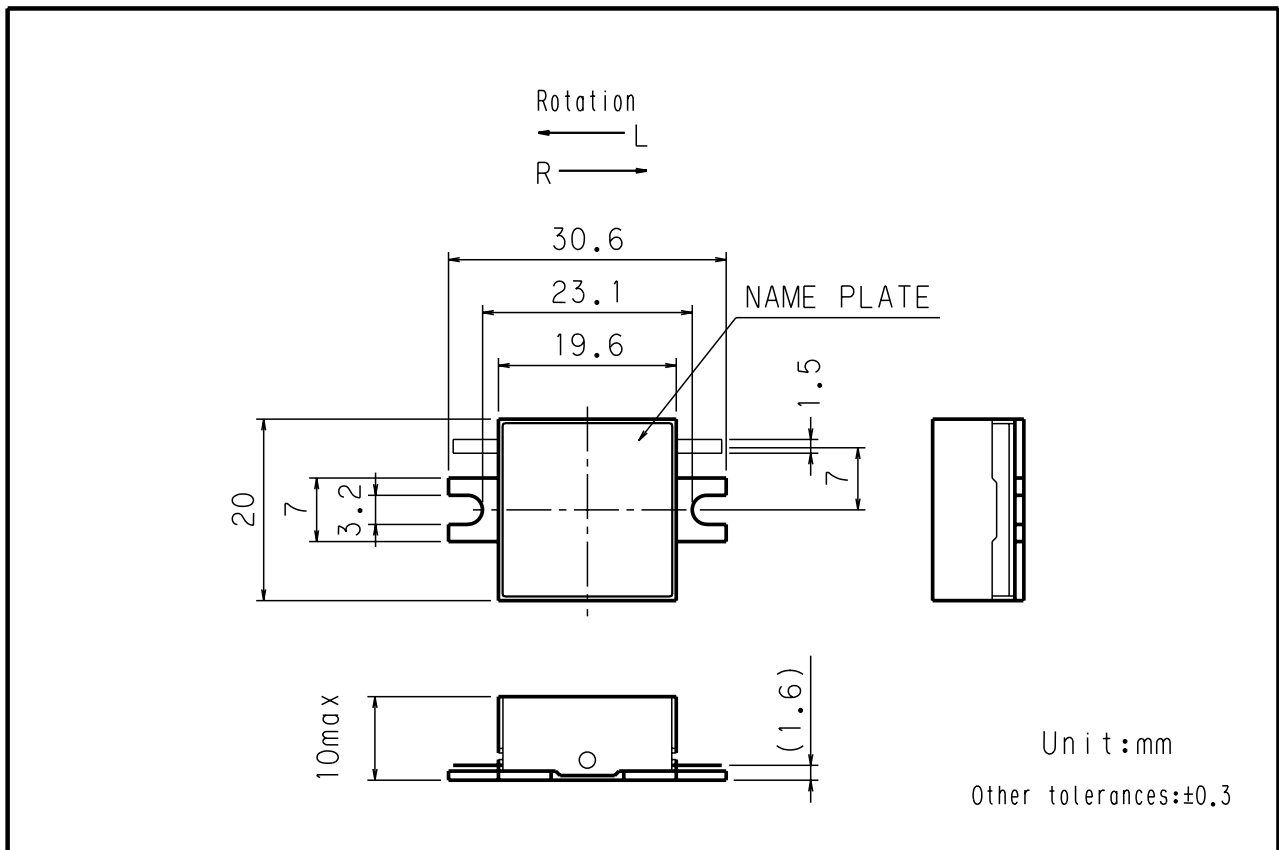
Part No. SI-20[]0942M

[]Rotation(RorL)

● Specifications

Frequency	925 - 960MHz
Band Width	Full
Insertion Loss	0.6dB max
Isolation	18dB min
VSWR	1.30 max
Handling Power	10W max
Reflection Power	5W max
Operating Temp.	-10 ~ +75 °C
Impedance	50Ω

● Dimensions



Hitachi Metals, Ltd.