

◇ SMD ISOLATOR ◇

CAT-283

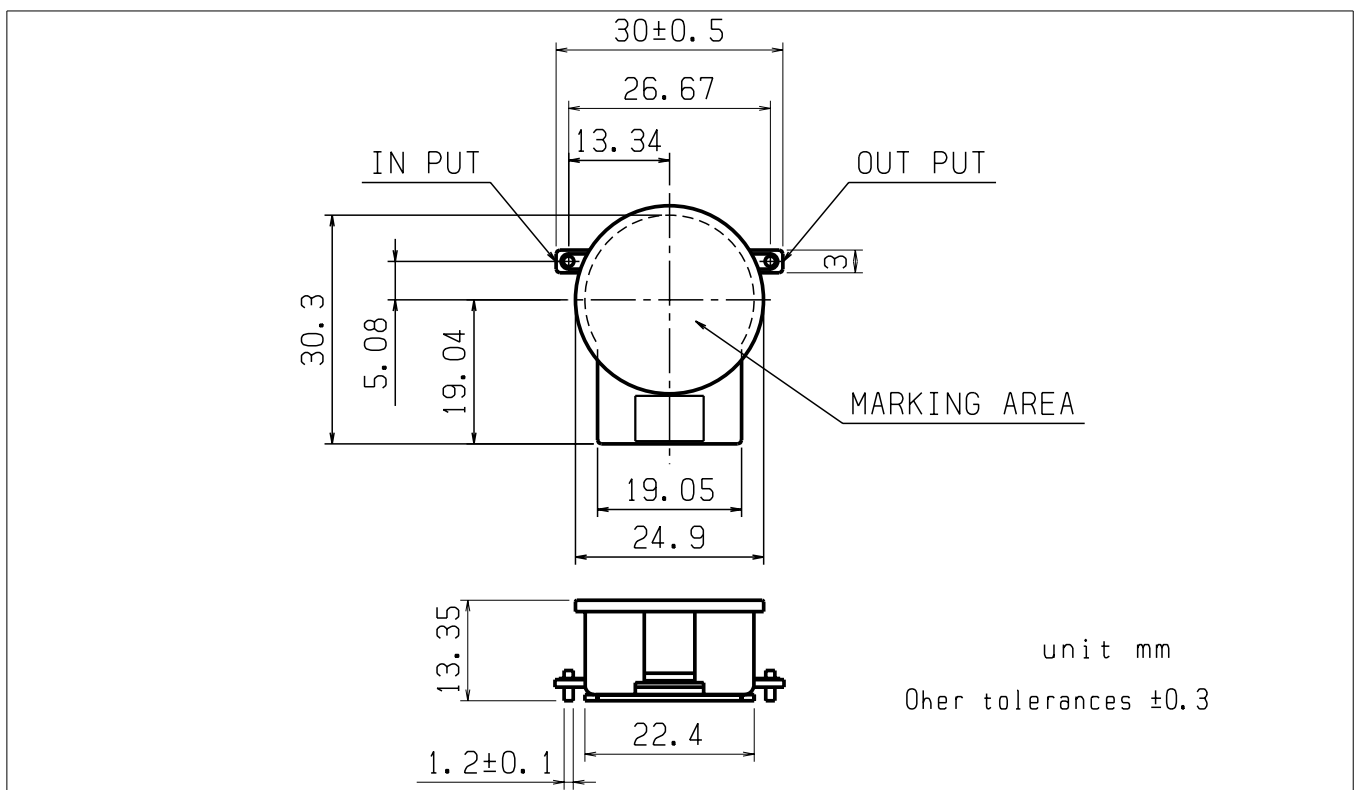
Model Number DSI-22C

● Specifications

Part Number	DSI-22CR1.842G	DSI-22CR1.960G	DSI-22CR2.140G
Frequency	1805-1880MHz	1930-1990MHz	2090-2190MHz
Insertion Loss	0.35 dB max	0.35 dB max	0.35 dB max
Isolation	23 dB min	23 dB min	23 dB min
VSWR	1.20 max	1.20 max	1.20 max
Handling Power	80W max *1	80W max *1	80W max *1
Reflected Power	80W max *1	80W max *1	80W max *1
Operating Temp.	-10 ~ +85 ℃	-10 ~ +85 ℃	-10 ~ +85 ℃
Impedance	50Ω	50Ω	50Ω

*1 Case temperature should be less than 85 deg C during operation.

● Dimensions



Hitachi Metals, Ltd.