

5mm SQUARE CIRCULATOR

MODEL ESC-5CE [] 2.650 G 01 - T

(1) (2) (3) (4) (5) (6)

(1) Series **ESC-5CE ; 2.5mm Height**

(2) Rotating Direction (R or L)

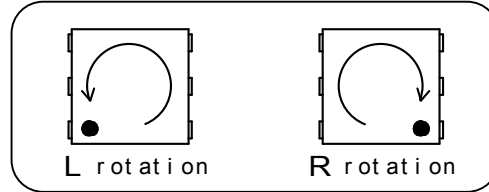
(3) Center Frequency

(4) G ; GHz

(5) Control No.

(6) T ; Taping

Blank ; Bulk



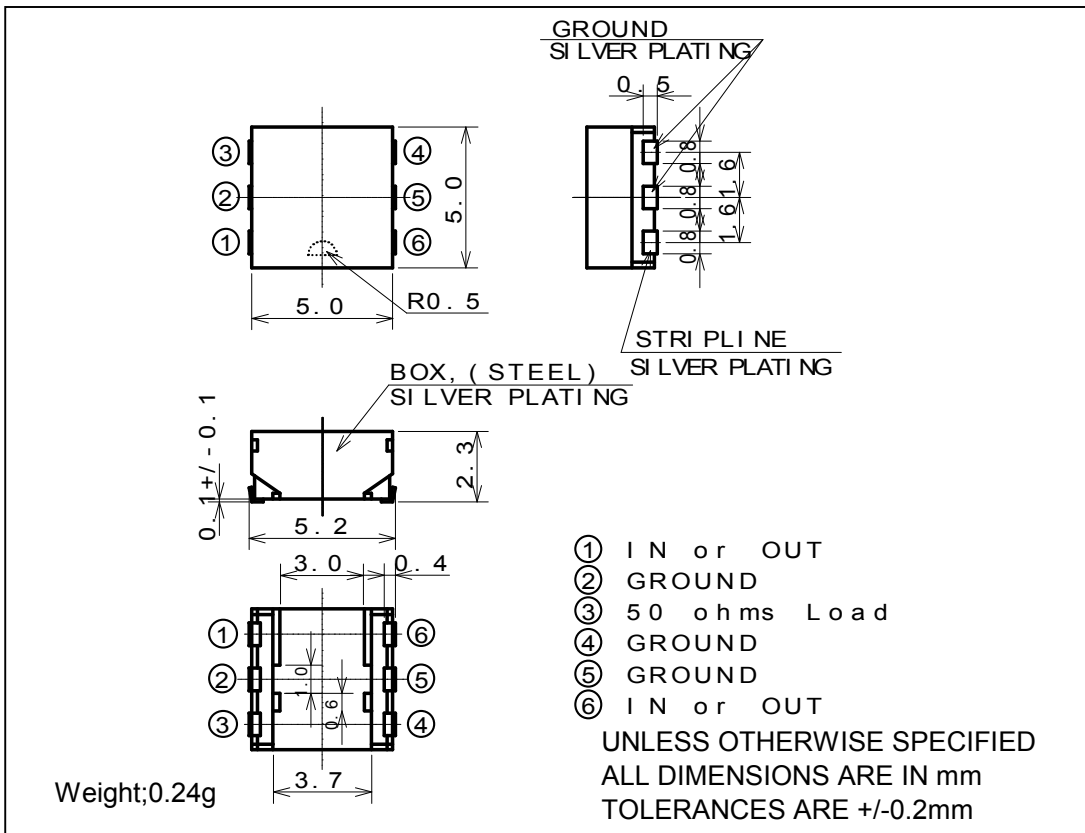
Specification

Frequency (GHz)	Ins. Loss Max. (dB)	Isolation Min. (dB)	V.S.W.R. Max.	Handling Power Max. (W)
2.600-2.700	0.6 (Port (1)-(6))	15 (Port (1)-(6))	1.5 (Port (1)-(6))	5.0

Operating Temperature(deg.C) ; -35 to +85

Impedance ; 50 ohms Typ.

Shape & Size




TBE505

 **Hitachi Metals, Ltd. Tottori Works**

CONFIDENTIAL

The contents of this document is the property of Hitachi Metals Ltd. and may not be communicated to any other party in any form without the prior written contents of Hitachi Metals Ltd..

 **Materials Mag!c**

<http://www.hitachi-metals.co.jp/e/>