

◇ SMD Circulators ◇

CAT-282

Model Number MSC-25S

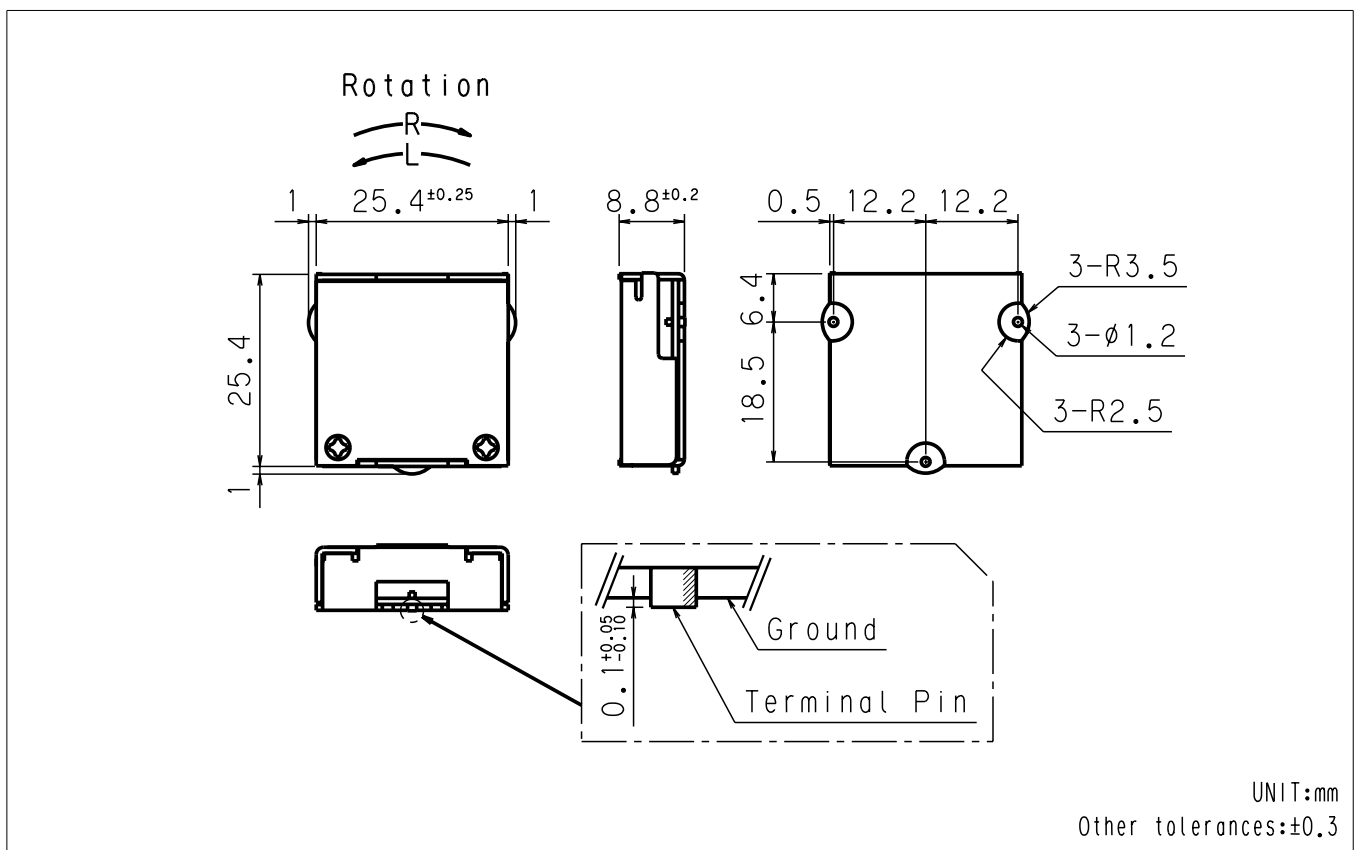
● Specifications

System	AMPS	GSM	DCS	PCS	UMTS
Part Number *1	MSC-25S*0881M	MSC-25S*0942M	MSC-25S*1.842G	MSC-25S*1.960G	MSC-25S*2.140G
Frequency	869-894MHz	925-960MHz	1805-1880MHz	1930-1990MHz	2090-2190MHz
Insertion Loss	0.25 dB max	0.25 dB max	0.25 dB max	0.25 dB max	0.25 dB max
Isolation	20 dB min	20 dB min	20 dB min	20 dB min	20 dB min
Return Loss	20 dB min	20 dB min	20 dB min	20 dB min	20 dB min
Handling Power	100W max *2	100W max *2	100W max *2	100W max *2	100W max *2
Operating Temp.	-20 ~ +85 °C	-20 ~ +85 °C	-20 ~ +85 °C	-20 ~ +85 °C	-20 ~ +85 °C
Impedance	50Ω	50Ω	50Ω	50Ω	50Ω

*1 * Rotation (R or L)

*2 Case temperature should be less than 85 deg C during operation.

● Dimensions



Hitachi Metals, Ltd.

All the technical data and information contained herein are subject to change without notice.