

◇ Dual Junction Isolator ◇

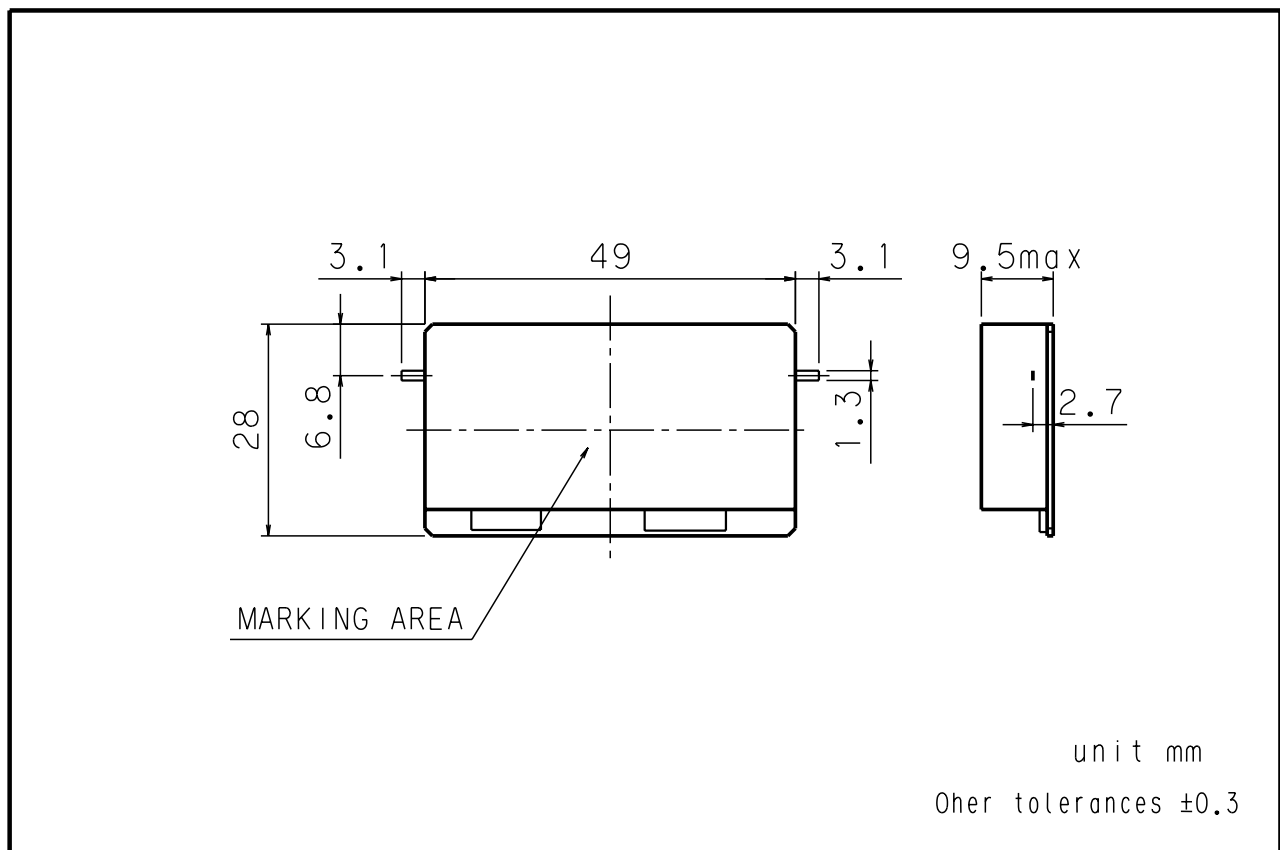
Model No. MSI-28WR0881M

CAT-280

● Specifications

Frequency (MHz)	869 - 864MHz
Band Width	Full
Insertion Loss	0.50dB max
Isolation	50dB min
V.S.W.R	1.20 max
Handling Power	80W max
Reflection Power	50W max
Operating Temp.	-10~+85°C
Impedance	50Ω

● Dimensions



Hitachi Metals, Ltd.